

Lead stack with placement tubes for Californium-252 source

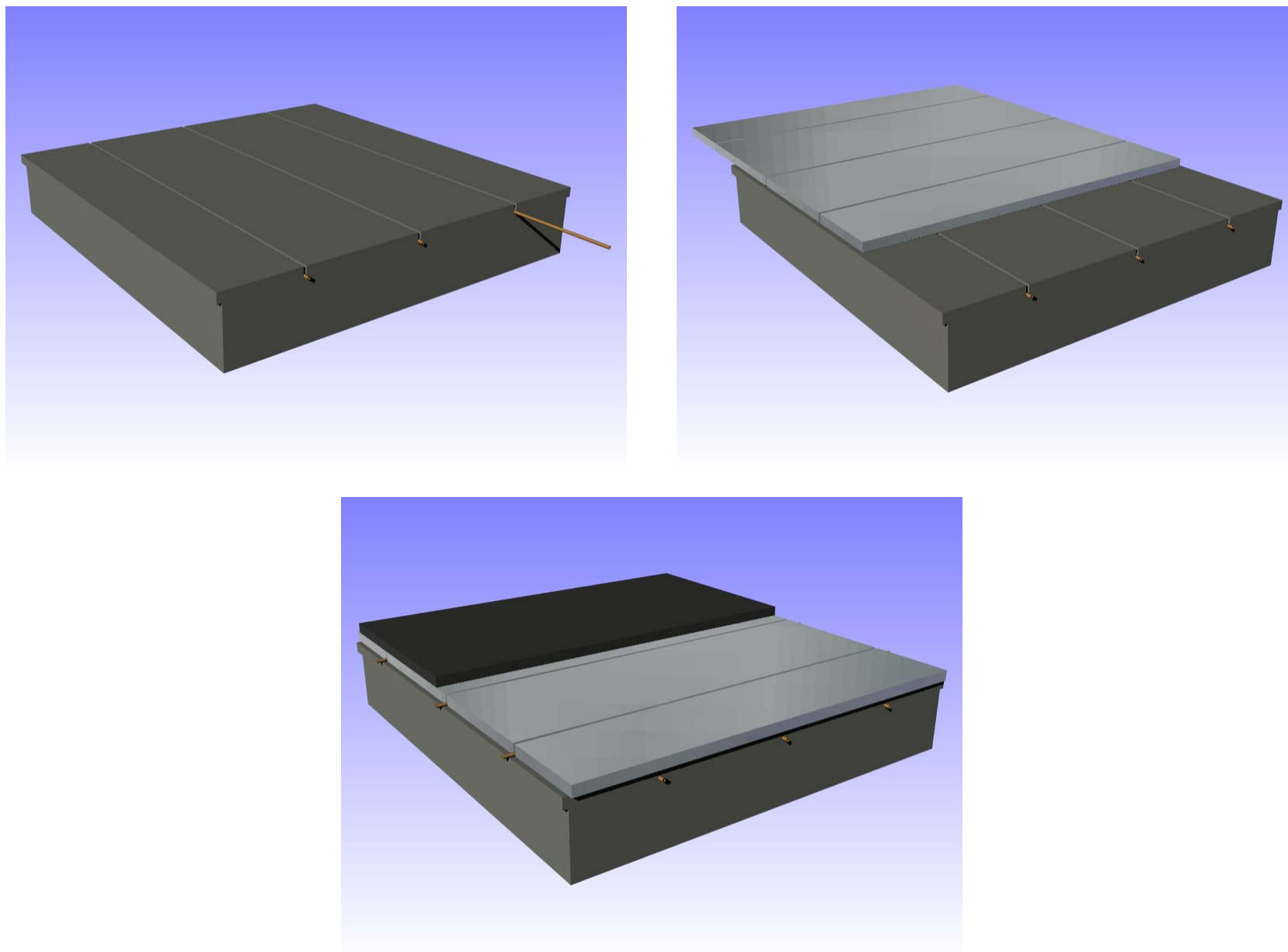
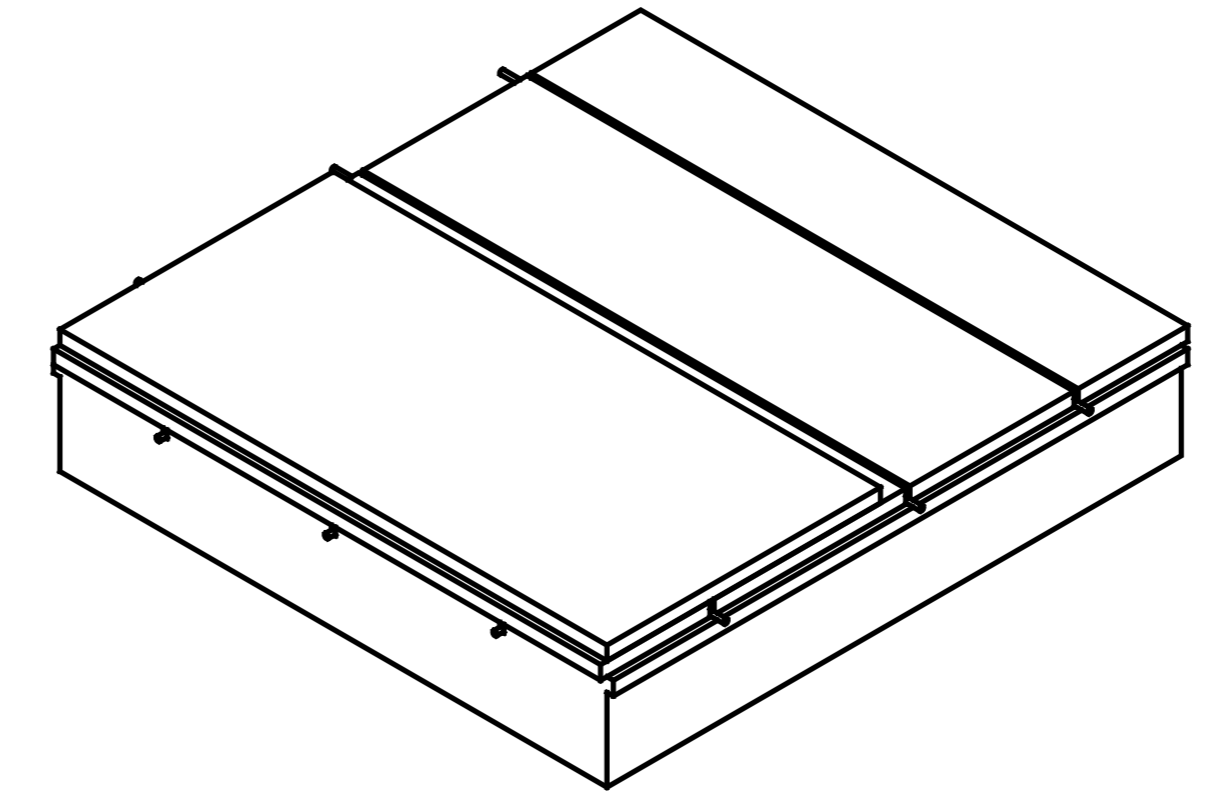
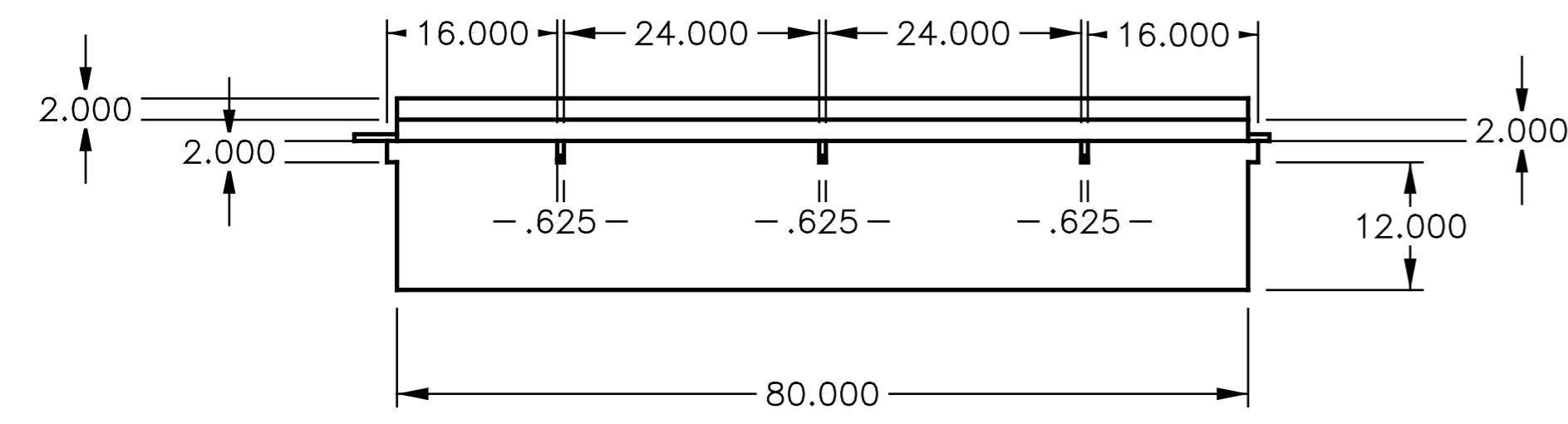
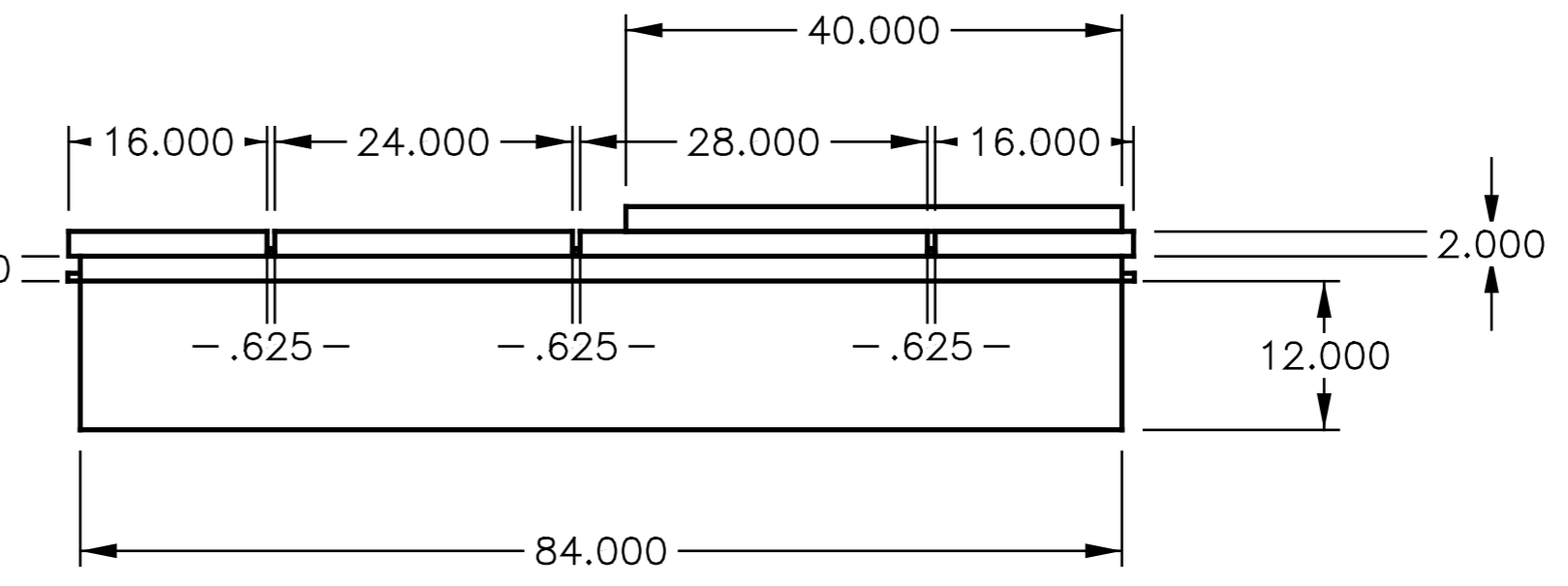
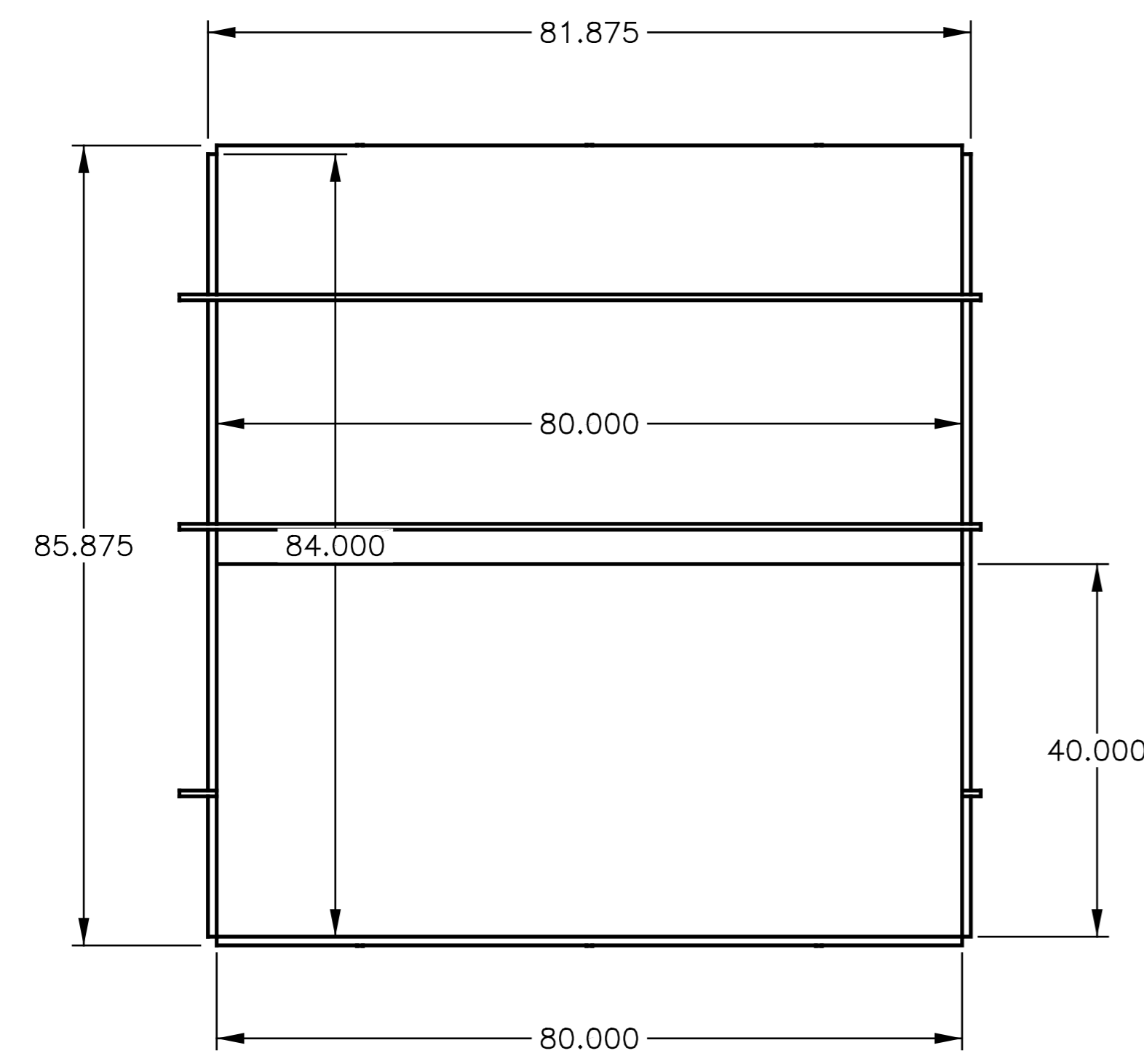
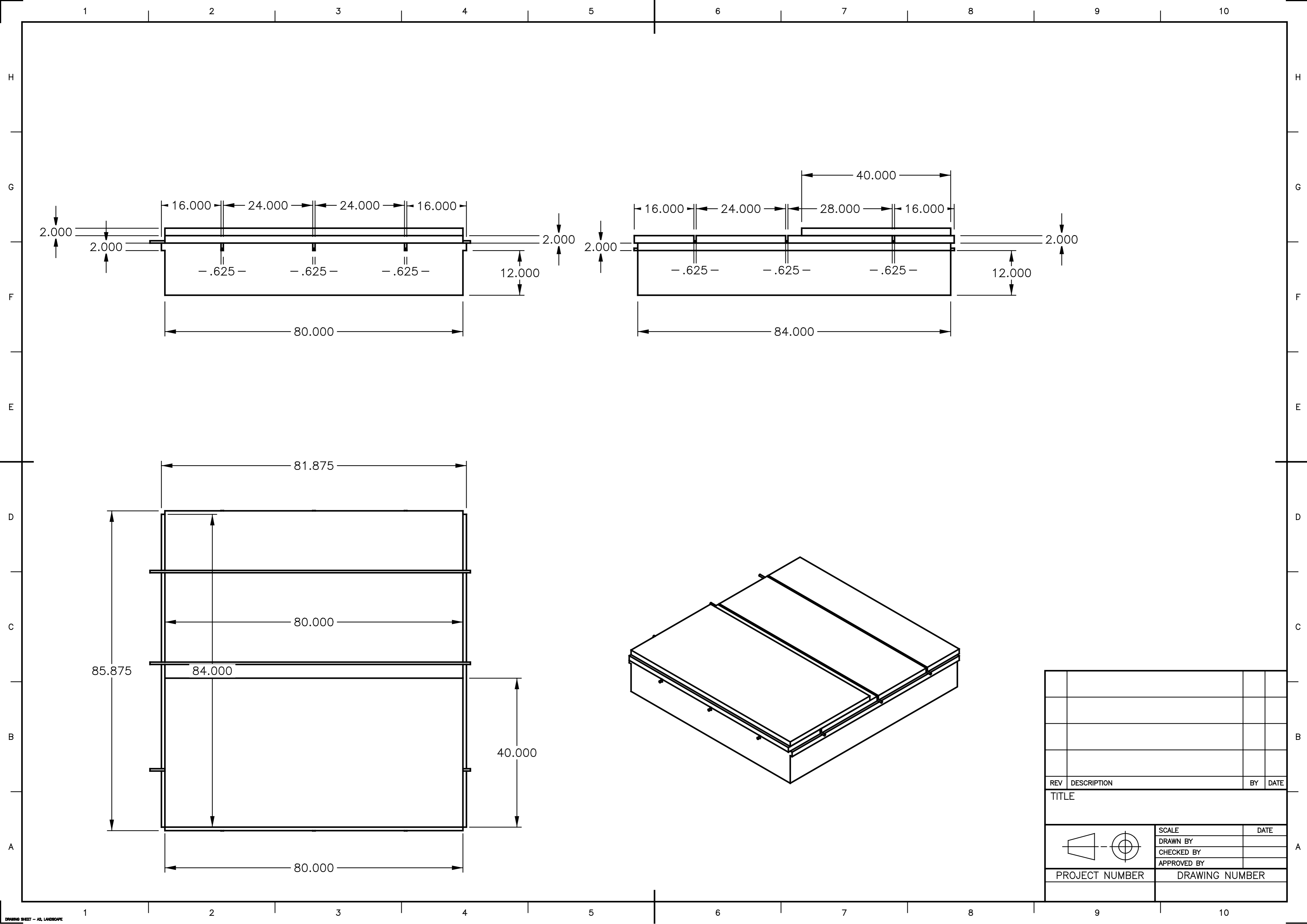


Figure 1 – Assembly of the lead stack in three stages. The bricks comprising the seventh and eighth layers are positioned to allow for six hollow tubes, which will be used to place the Cf-252 source. Each lead brick measures 2" x 4" x 8". See following page for detailed schematic.



| | | | |
|----------------|-------------|----------------|------|
| REV | DESCRIPTION | BY | DATE |
| | | | |
| TITLE | | | |
| SCALE | | DATE | |
| DRAWN BY | | | |
| CHECKED BY | | | |
| APPROVED BY | | | |
| PROJECT NUMBER | | DRAWING NUMBER | |
| | | | |

