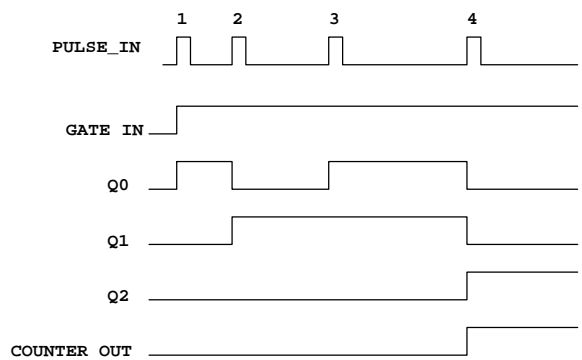
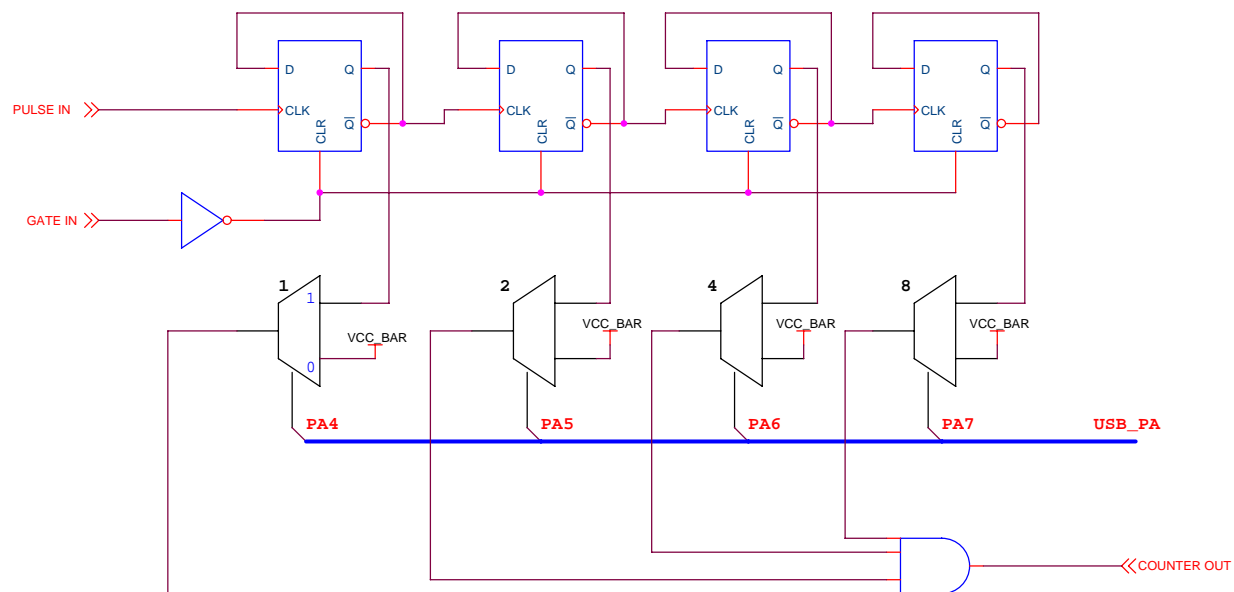
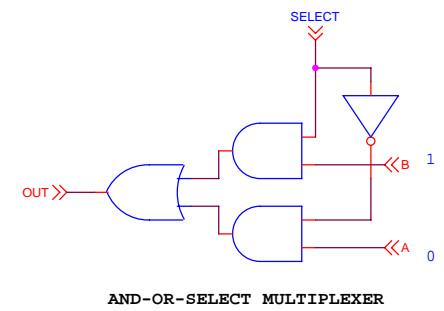


### RIPPLE COUNTER



| P3 | P2 | P1 | P0 | N |
|----|----|----|----|---|
| 0  | 0  | 0  | 0  | 0 |
| 0  | 0  | 0  | 1  | 1 |
| 0  | 0  | 1  | 0  | 2 |
| 0  | 0  | 1  | 1  | 3 |
| 0  | 1  | 0  | 0  | 4 |



AND-OR-SELECT MULTIPLEXER