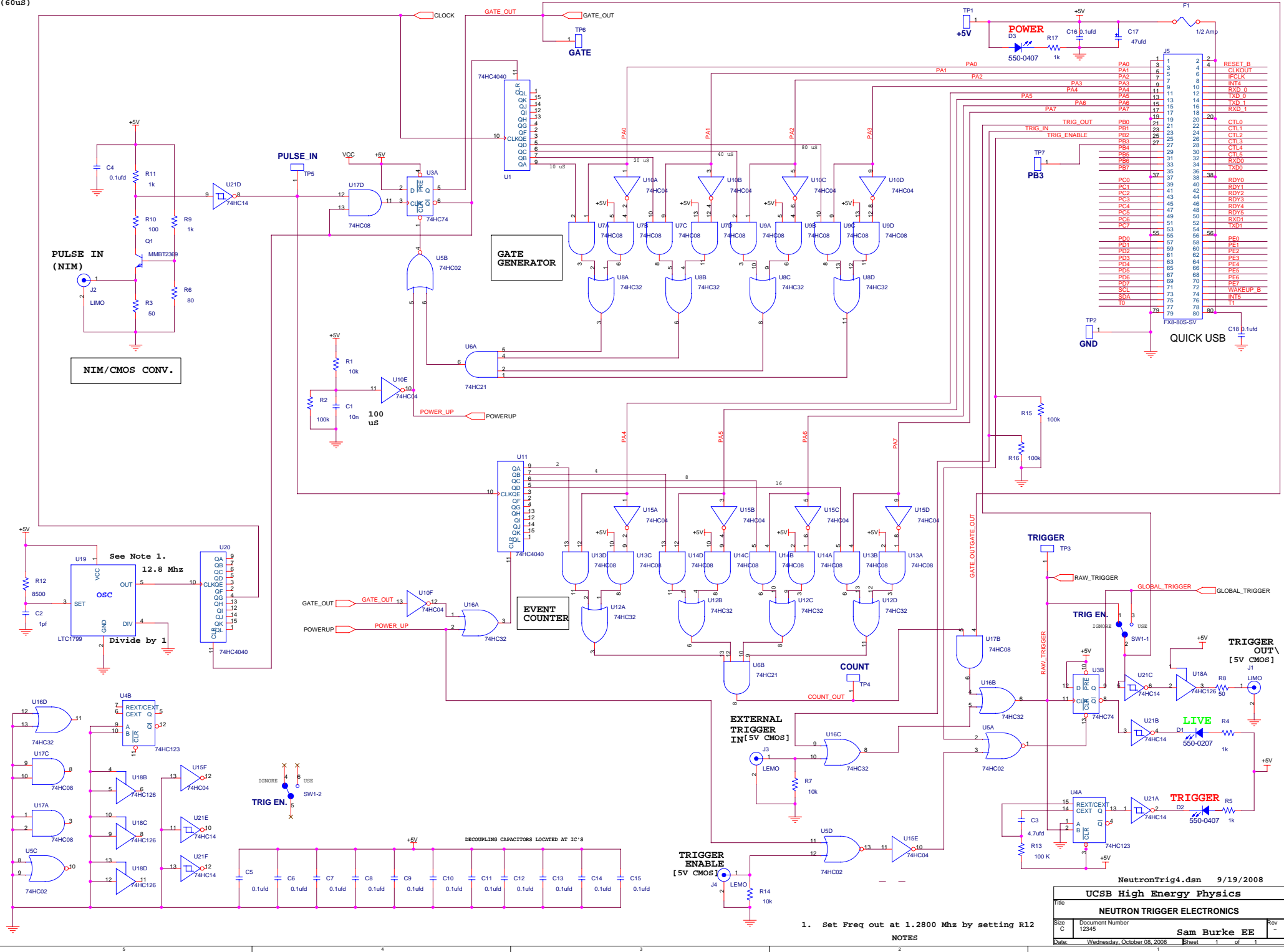


0111 = T
(60us)



NeutronTrig4.dsn 9/19/2008

UCSB High Energy Physics		
NEUTRON TRIGGER ELECTRONICS		
File	Document Number	Rev
Size	12345	-
Date: Wednesday, October 08, 2008		Sheet 1 of 1

1. Set Freq out at 1.2800 Mhz by setting R12

NOTES